

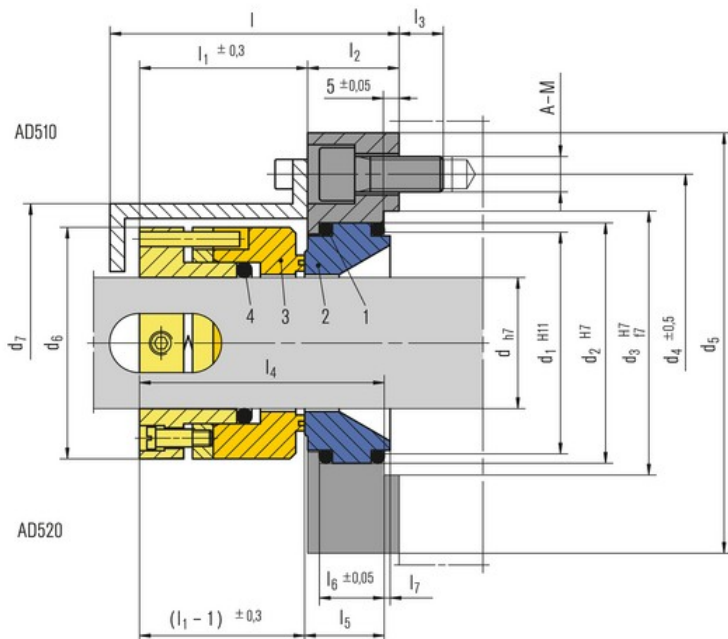
# AD510 / AD520

### Features

- Dry running
- Single seal
- Independent of direction of rotation

### Advantages

AD510 includes housing



### Item Description

- 1 O-Ring
- 2 Seat
- 3 Seal face
- 4 O-Ring

# AD510 / AD520 (2)

## Recommended applications

- Chemical industry
- Pharmaceutical industry
- Food and beverage industry
- Reactors
- Polymerization agitators
- Mixers

## Operating range

Vessel pressure: p = vacuum (7 mbara) ... 5 bar (73 PSI)  
 Vessel temperature: t = -30 °C ... +175 °C (-22 °F ... +347 °F)  
 Sliding velocity: v<sub>g</sub> = max. 1.0 m/s (3 ft/s)  
 Allowable gas consumption: 2 NI/h

## Notes

Options:  
 Cooling jacket on the vessel side flange and carbon bush and version with gas flushing line and lip seal. Please inquire.

## Materials

Seal face: PTFE, Carbon fiber and glass fiber reinforced  
 Seat: Silicon carbide (Q1), Aluminium oxide (V)

## Product variants

### AD520

## Dimensions

d	d <sub>1</sub>	d <sub>2</sub>	d <sub>3</sub>	d <sub>4</sub>	d <sub>5</sub>	d <sub>6</sub>	d <sub>7</sub>	l	l <sub>1</sub>	l <sub>2</sub>	l <sub>3</sub>	l <sub>4</sub>	l <sub>5</sub>	l <sub>6</sub>	l <sub>7</sub>	A-M
20	36	42	50	70	90	46	60	77	44	24	11	63	20	16	2	4-M8
25	41	47	55	75	95	51	65	77	44	24	11	63	20	16	2	4-M8
30	46	52	60	80	100	56	70	77	44	24	11	63	20	16	2	4-M8
35	51	57	65	85	105	61	75	77	44	24	11	63	20	16	2	4-M8
40	60	66	75	95	120	70	85	82	47	26	12	68	22	18	2	4-M10
45	65	71	80	100	125	75	90	82	47	26	12	68	22	18	2	4-M10
50	70	76	85	105	130	80	95	82	47	26	12	68	22	18	2	8-M10
55	75	81	90	110	135	85	100	82	47	26	12	68	22	18	2	8-M10
60	85	91	100	120	145	92	110	89	51	28	12	74	24	20	2	8-M10
65	90	96	105	125	150	97	115	89	51	28	12	74	24	20	2	8-M10
70	95	101	110	130	155	102	120	91	51	30	12	76	26	21	2	8-M10
75	104	110	120	140	165	109	130	91	51	30	12	76	26	21	2	8-M10
80	109	115	125	150	178	114	130	98	57	31	15	83	27	22	2	8-M12
85	114	120	130	155	183	120	140	98	57	31	15	83	27	22	2	8-M12
90	119	125	135	160	188	124	140	98	57	31	15	83	27	22	2	8-M12
95	124	130	140	165	193	130	150	98	57	31	15	83	27	22	2	8-M12
100	129	135	145	170	198	134	150	98	57	31	15	83	27	22	2	8-M12
105	134	140	150	175	203	140	160	98	57	31	15	83	27	22	2	8-M12
110	139	145	155	180	208	146	165	98	57	31	15	83	27	22	2	8-M12
120	150	160	170	200	236	160	180	110	63	37	20	95	33	27	3	8-M16
130	160	170	180	210	246	170	190	110	63	37	20	95	33	27	3	8-M16
140	175	185	195	225	260	180	200	110	63	37	20	95	33	27	3	8-M16
150	190	200	210	240	276	200	225	136	85	40	20	120	36	30	3	8-M16
160	200	210	220	250	286	210	230	136	85	40	20	120	36	30	3	8-M16
170	210	220	230	260	296	220	250	136	85	40	20	120	36	30	3	8-M16
180	220	230	240	270	306	230	250	136	85	40	20	120	36	30	3	8-M16

Dimensions in millimeter